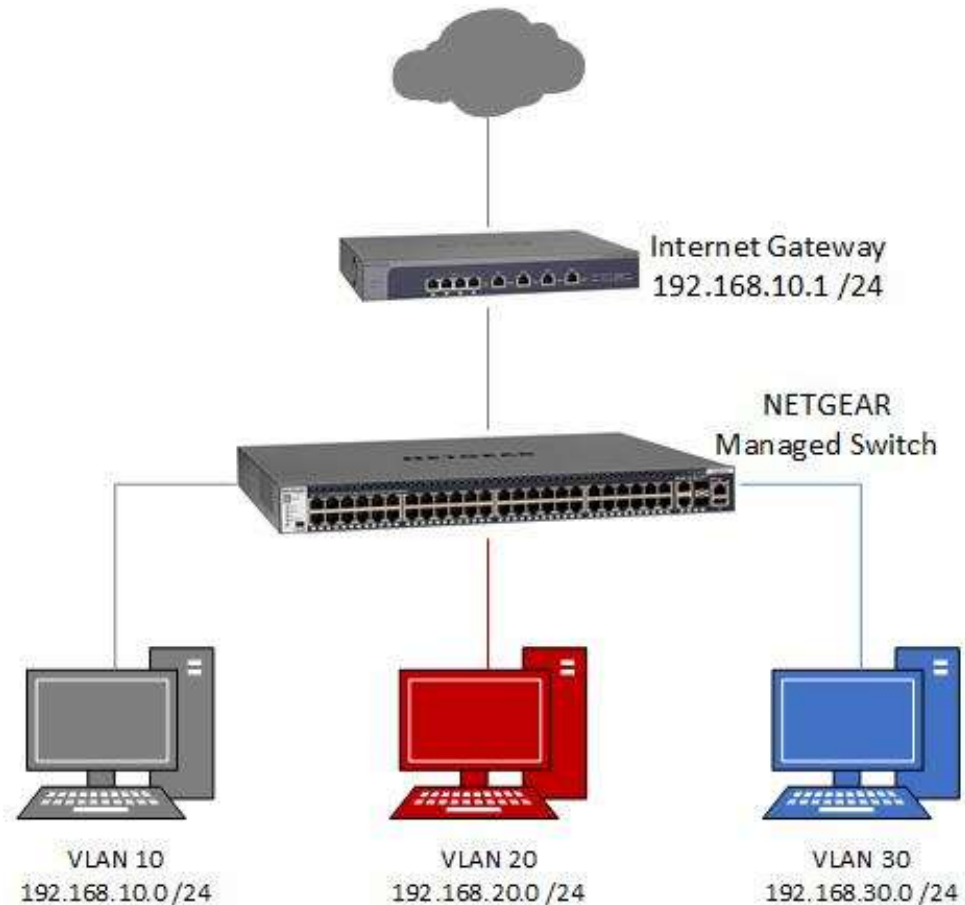


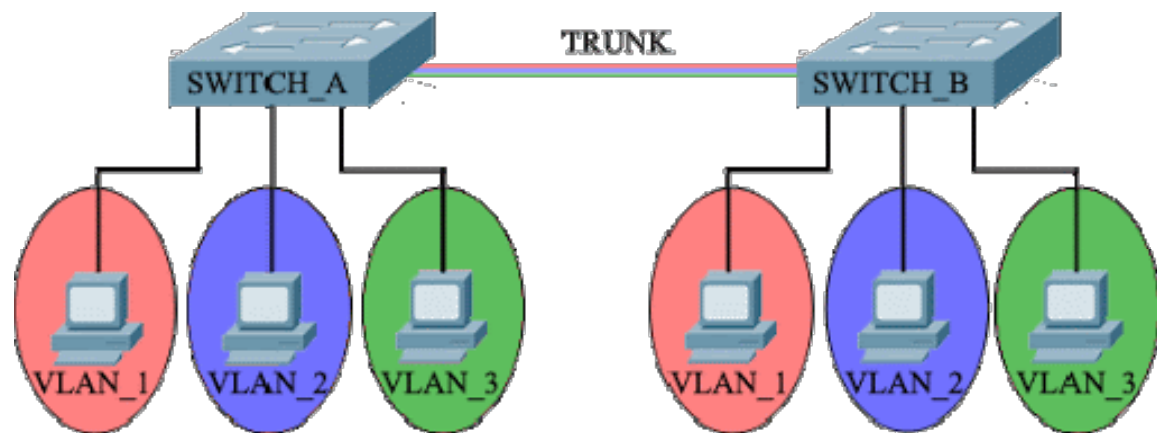
Chapter 17

Connecting Devices & Virtual LANs



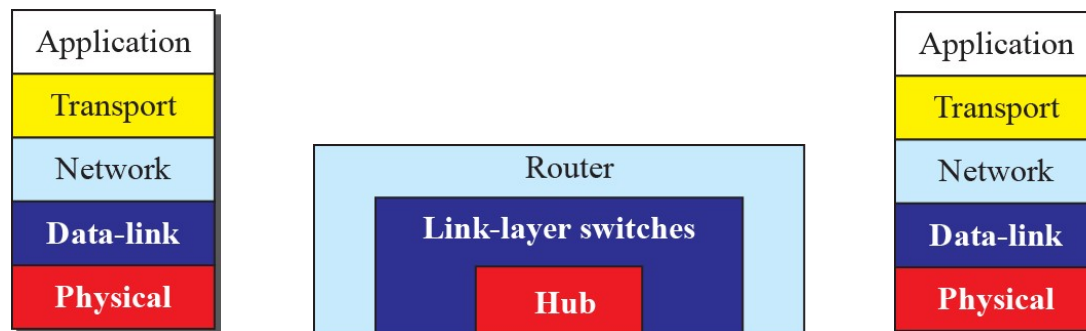
Objective

- Hubs and switches.
- Virtual LANs.
- How switches can communicate in a VLAN.
- Advantages of a VLAN.



Connecting Devices

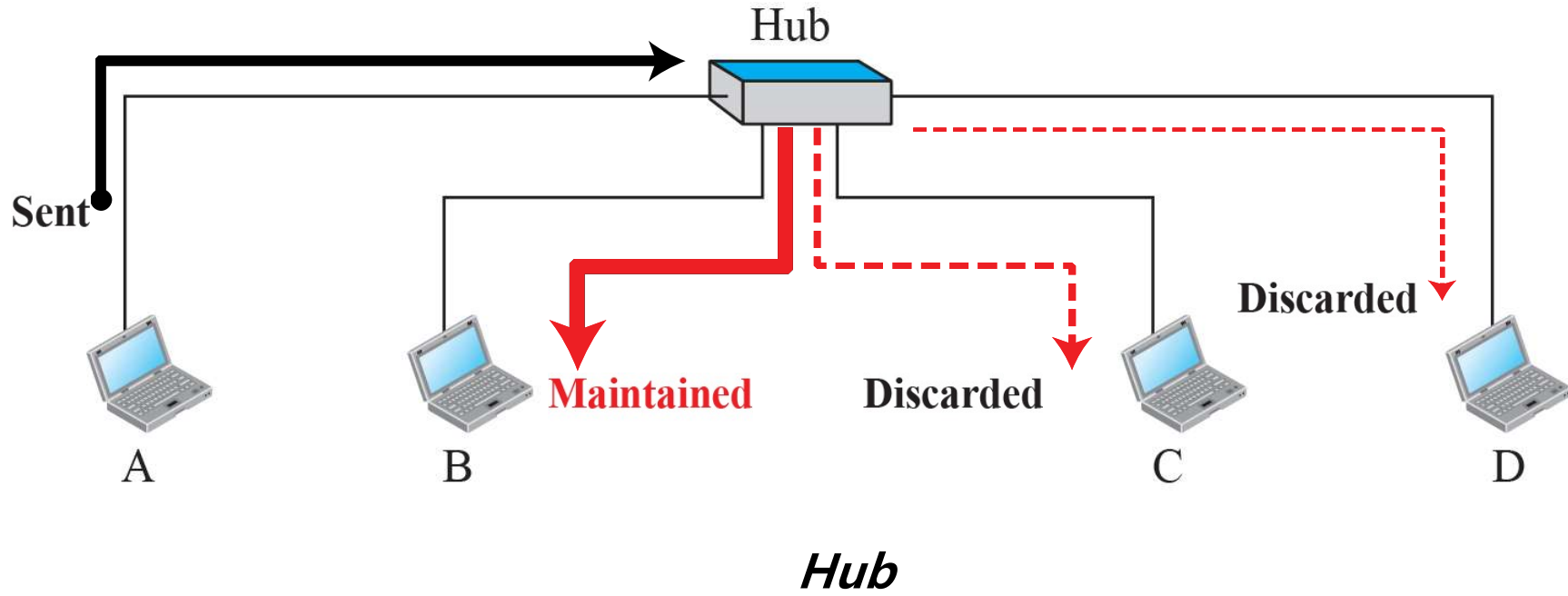
- Hosts and networks do not normally operate in isolation. We use connecting devices to connect hosts together to make a network or to connect networks together to make an internet.
- Connecting devices - **hubs, link-layer switches, and routers** - can operate in different layers of the Internet model connecting devices.



Three categories of connecting devices

Hubs

- A hub is a device that operates only in the physical layer.
- Signals that carry information within a network can travel a fixed distance before attenuation endangers the integrity of the data.
- A repeater receives a signal and, before it becomes too weak or corrupted, regenerates the original bit pattern.

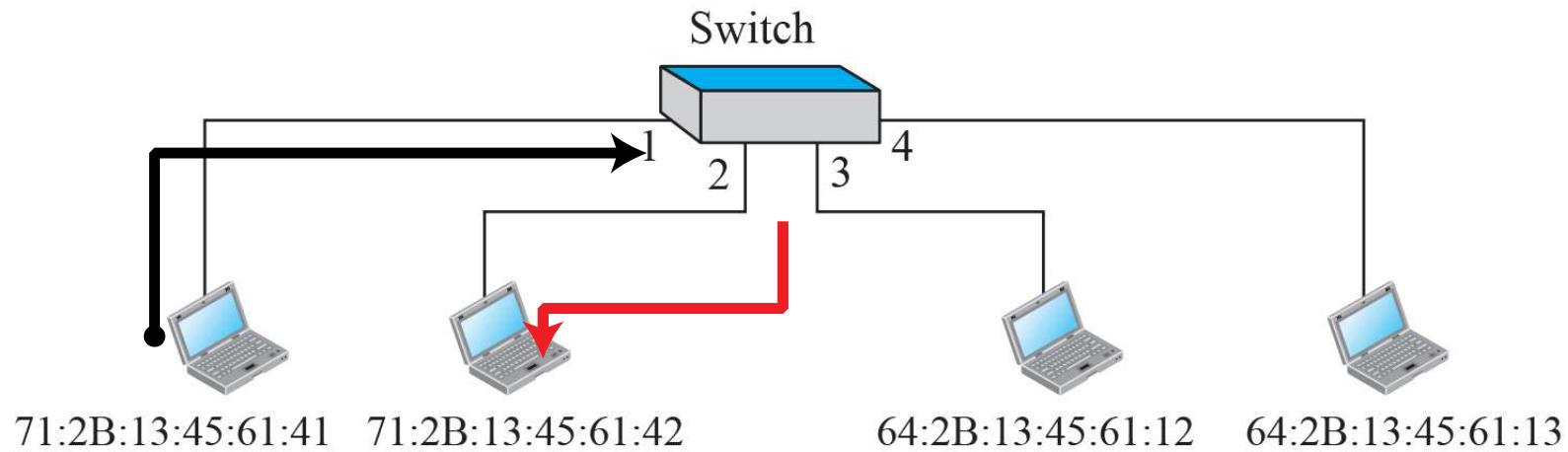


Link-Layer Switches

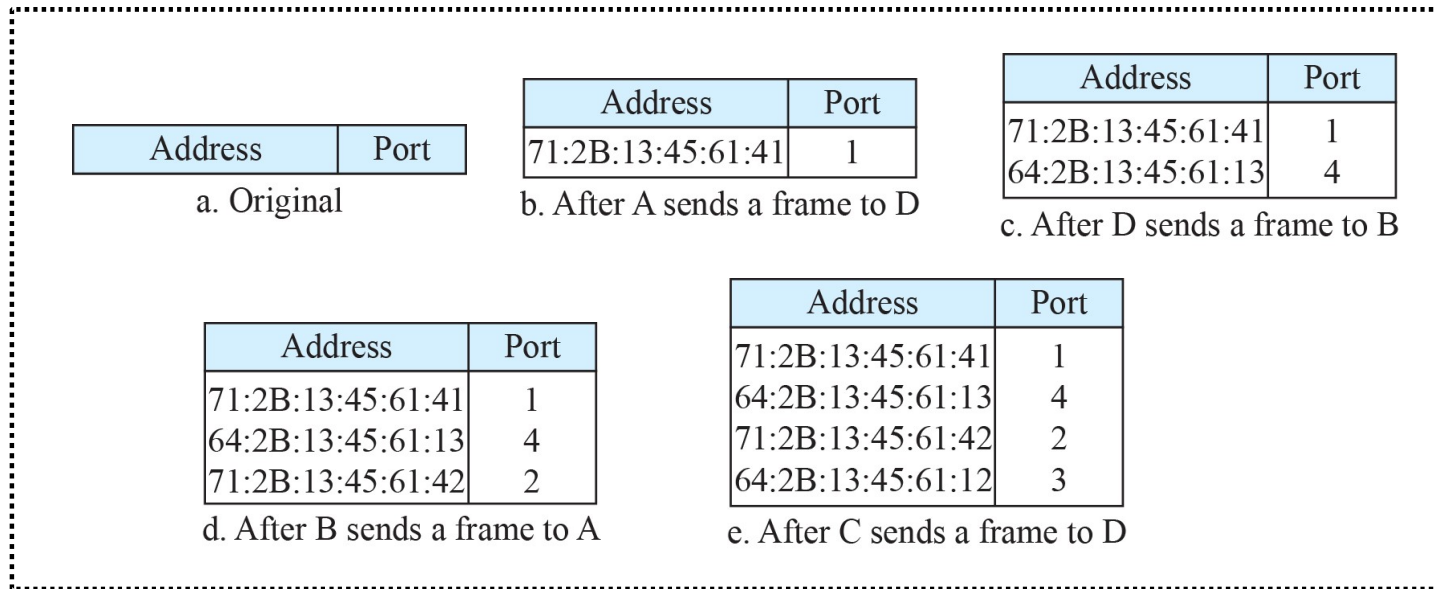
- A link-layer switch (or switch) operates in both the physical and the data-link layers.
- As a physical-layer device, it regenerates the signal it receives.
- As a link-layer device, the link-layer switch can **check the MAC addresses** (source and destination) contained in the frame.

Switching table

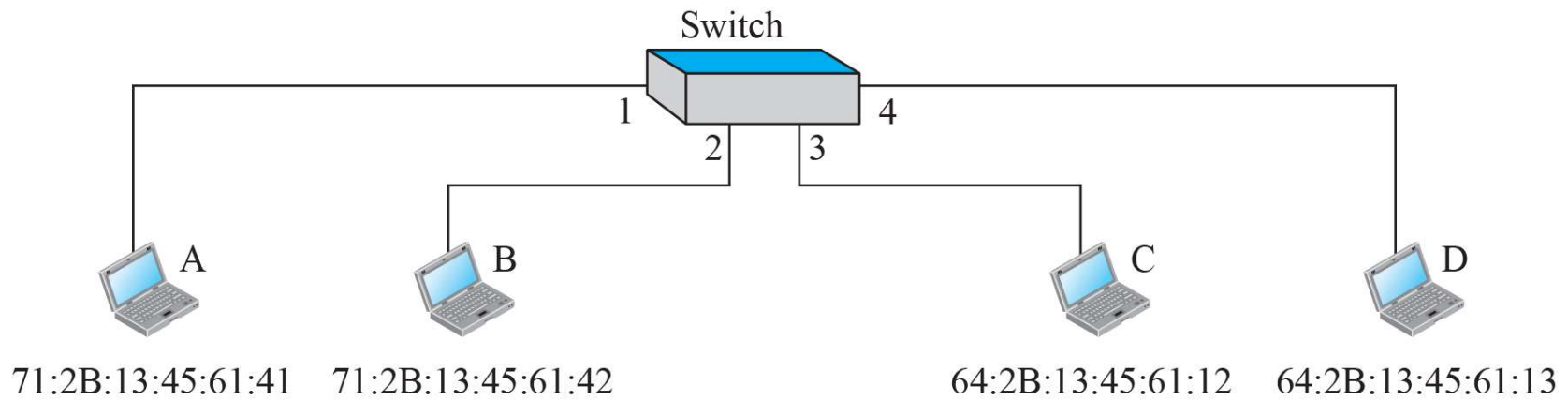
Address	Port
71:2B:13:45:61:41	1
71:2B:13:45:61:42	2
64:2B:13:45:61:12	3
64:2B:13:45:61:13	4



Link-Layer Switch

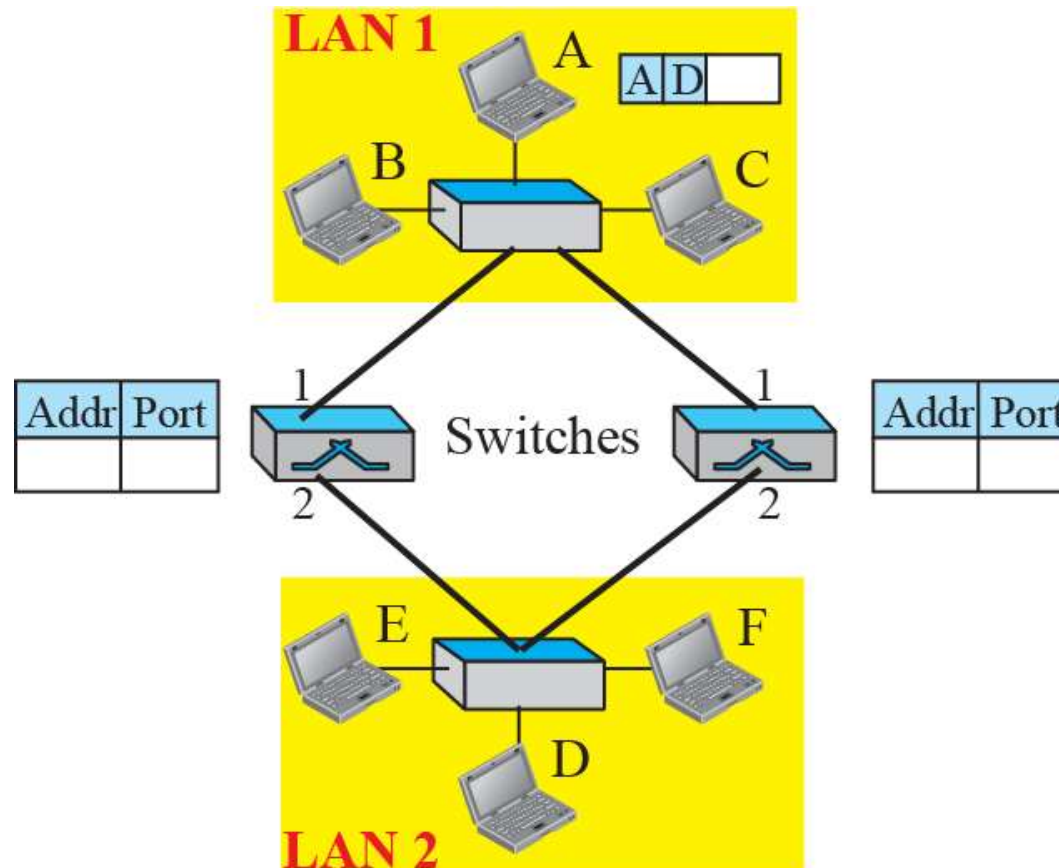


Gradual building of Table



Learning switch

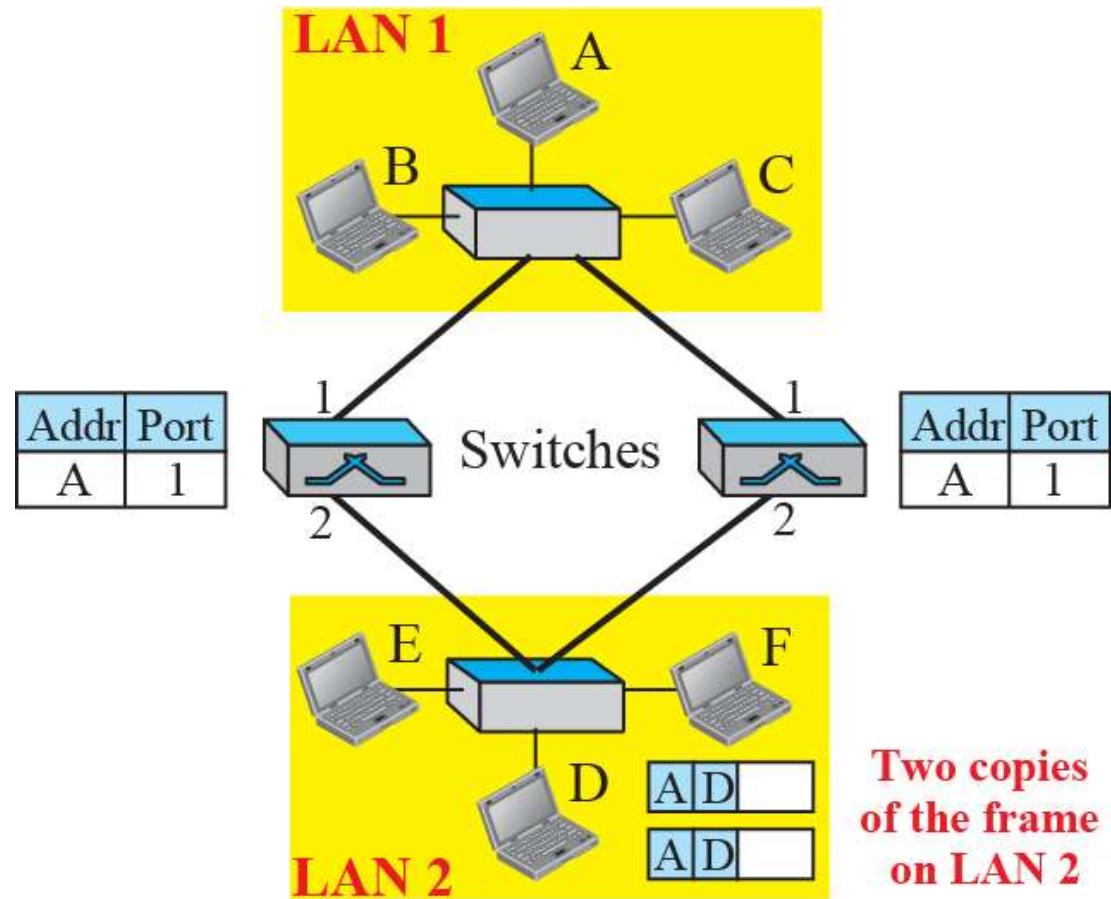
Loop problem



a. Station A sends a frame to station D

Loop problem *in a learning switch (Part a)*

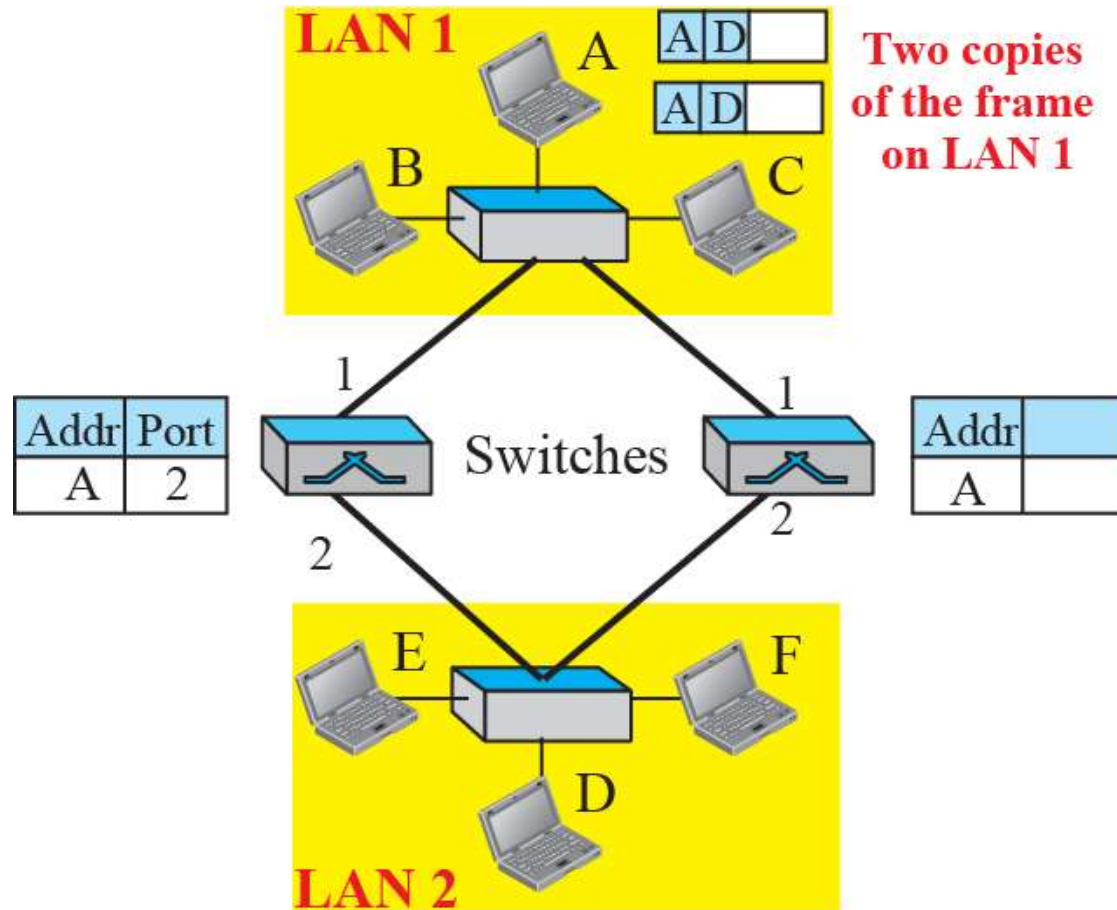
Loop problem



b. Both switches forward the frame

Loop problem in a learning switch (Part b)

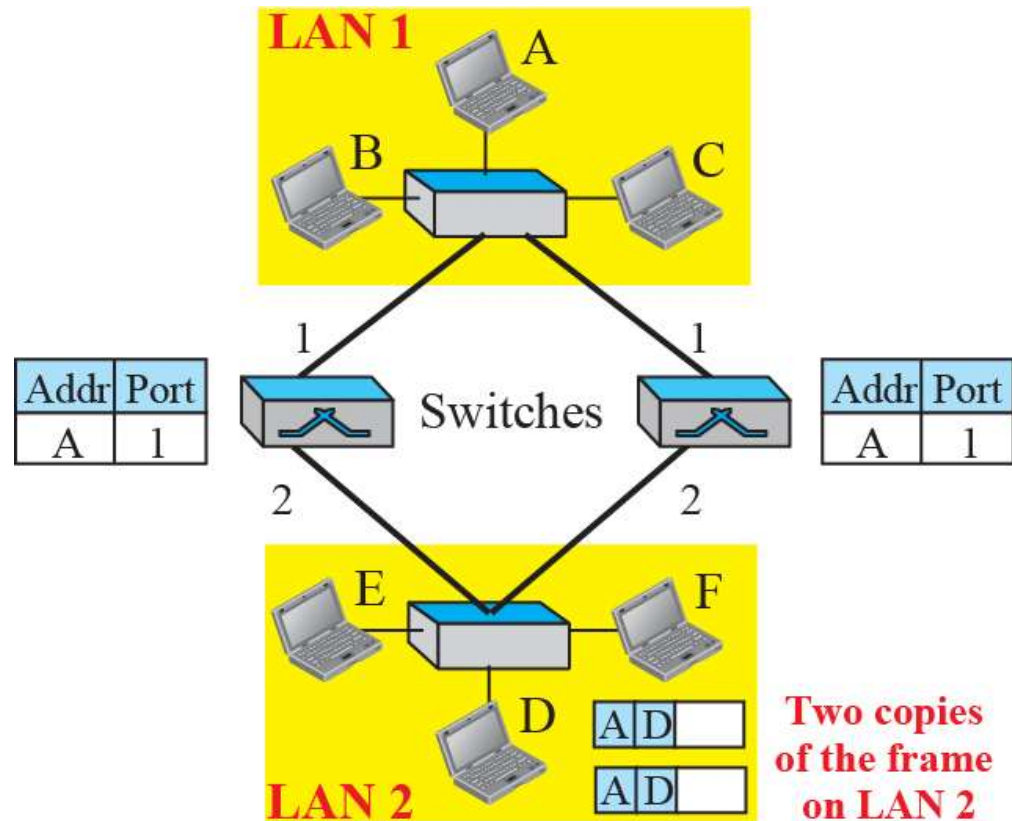
Loop problem



c. Both switches forward the frame

Loop problem in a learning switch (Part c)

Loop problem

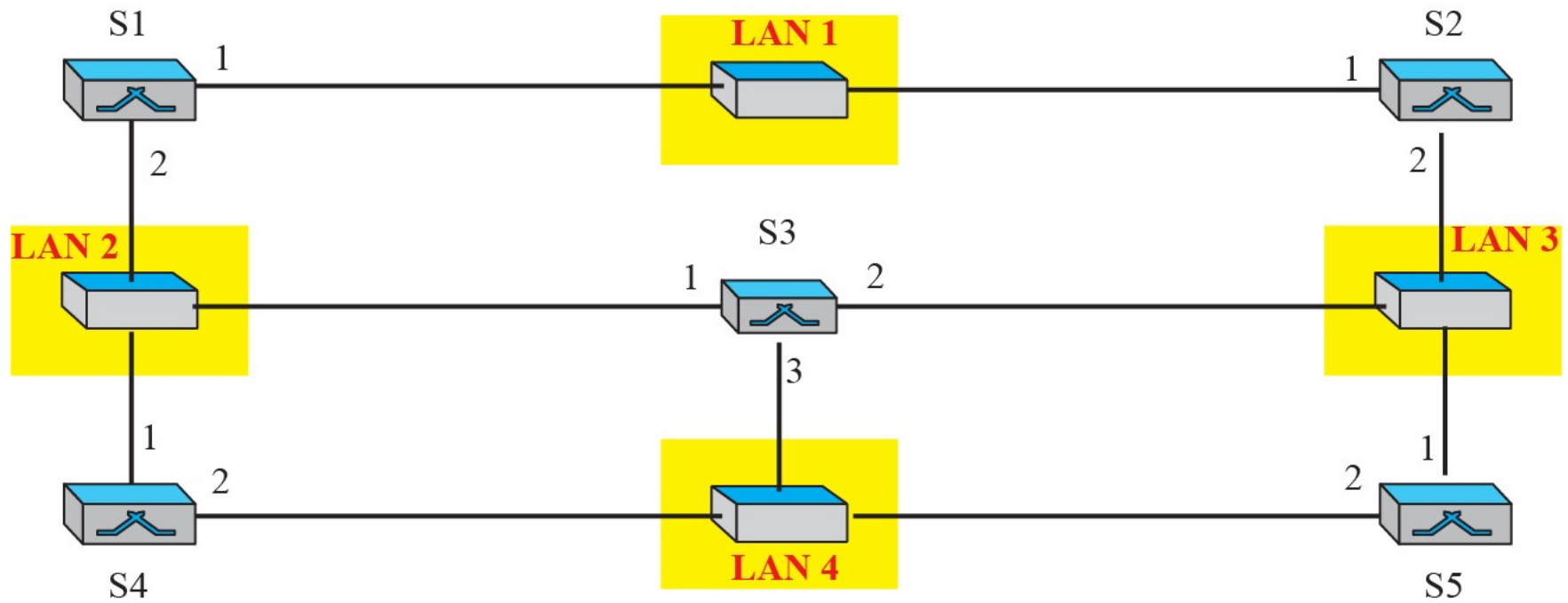


d. Both switches forward the frame

Loop problem in a learning switch (part d)

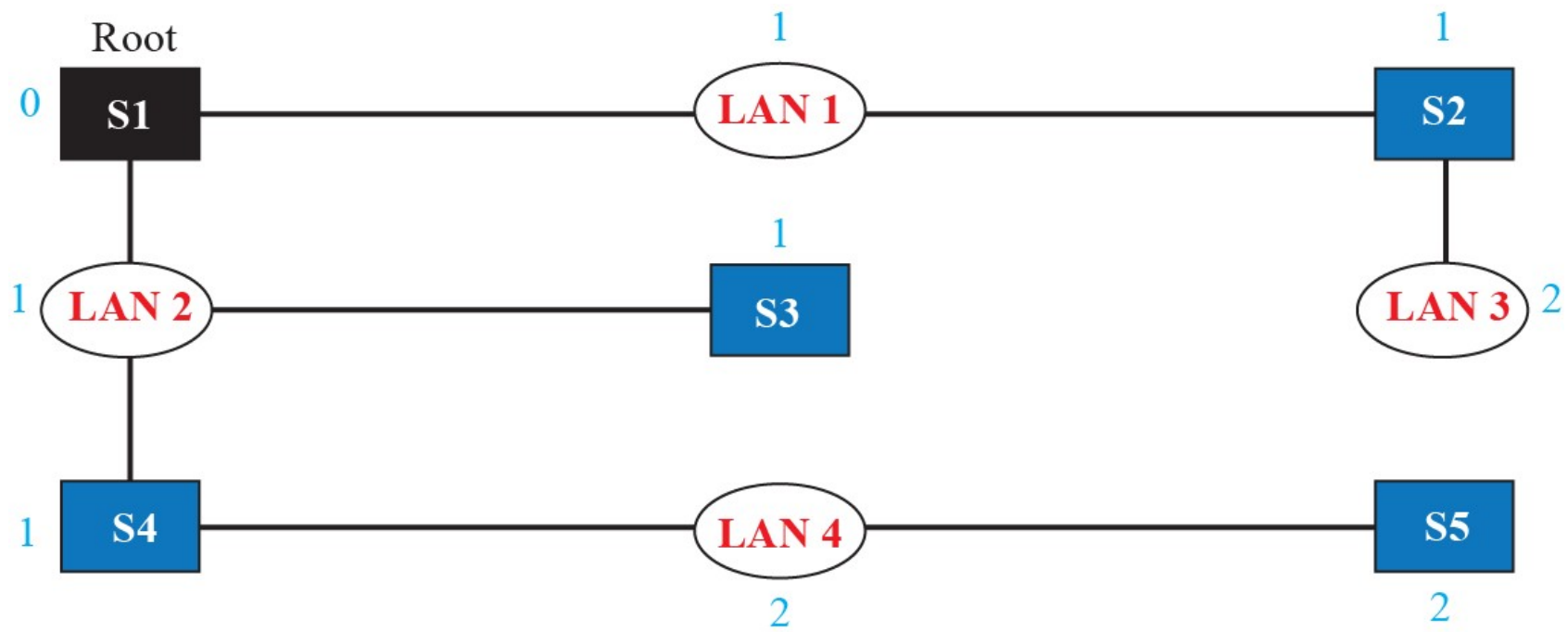
spanning tree algorithm

- To solve the looping problem, the IEEE specification requires that switches use the **spanning tree algorithm** to create a loopless topology. In graph theory, a spanning tree is a graph in which there is no loop.
- In a switched LAN, this means creating a topology in which each LAN can be reached from any other LAN through one path only (no loop).



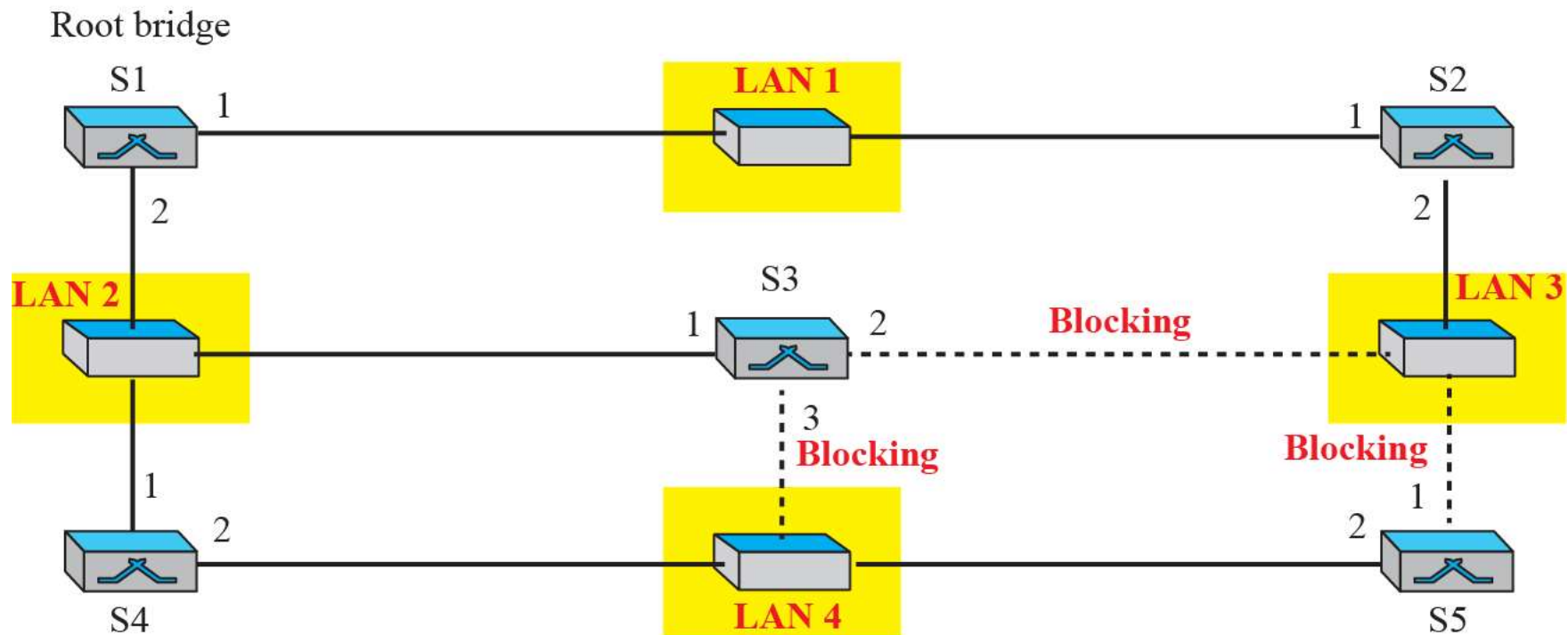
a. Actual system

A system of connected LANs and its graph (Part a)



Finding the shortest path and the spanning tree for a switch.

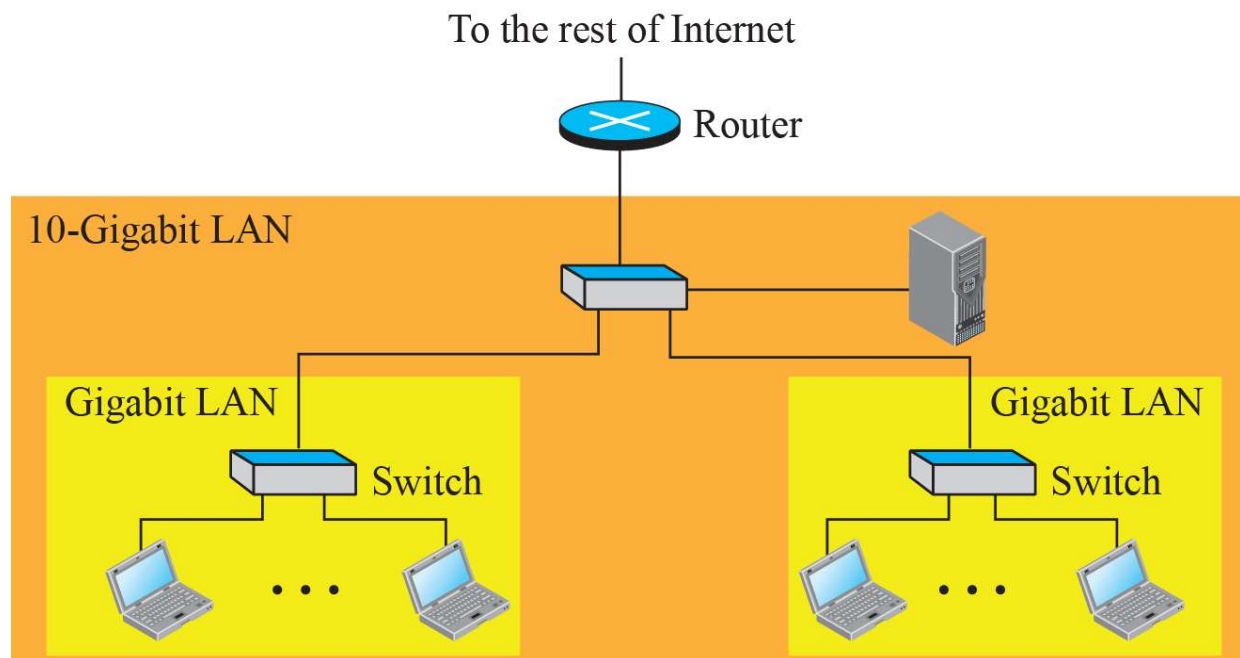
Ports 2 and 3 of bridge S3 are blocking ports (no frame is sent out of these ports).
Port 1 of bridge S5 is also a blocking port (no frame is sent out of this port).



Forwarding and blocking ports after using spanning tree algorithm

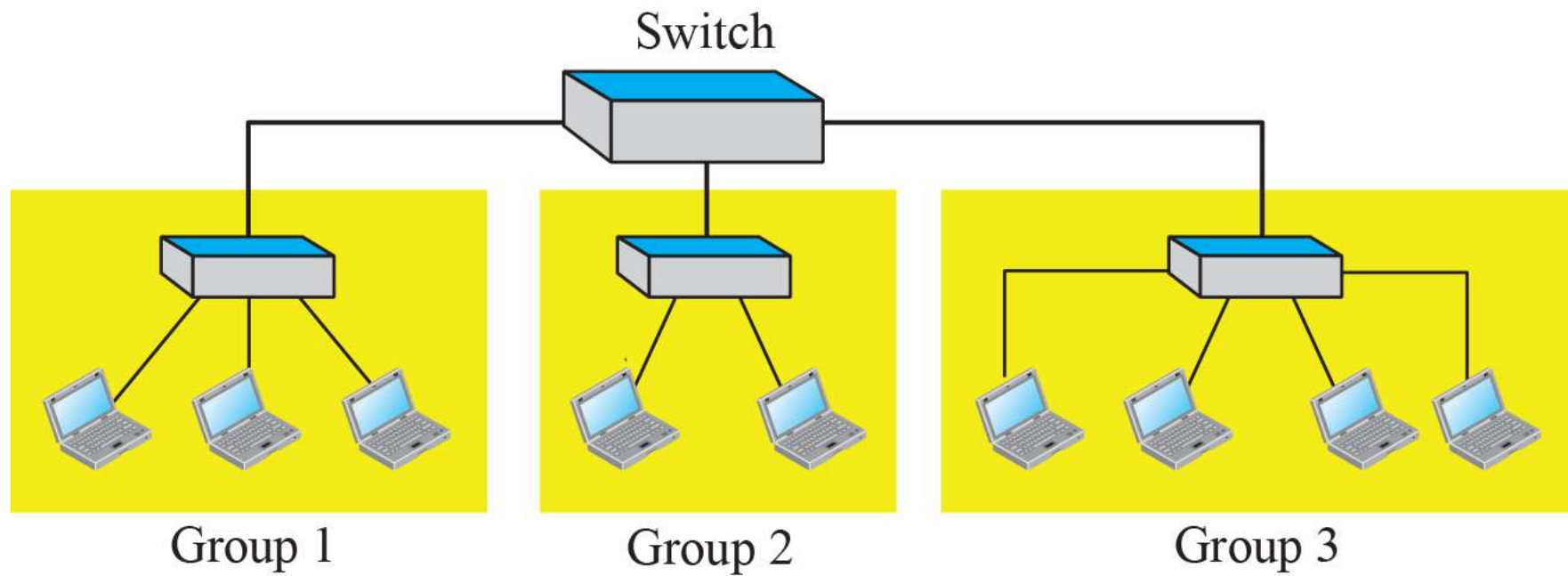
Routers

- In this section, we mention routers to compare them with a two-layer switch and a hub.
- A router is a three-layer device; it operates in the physical, data-link, and network layers.

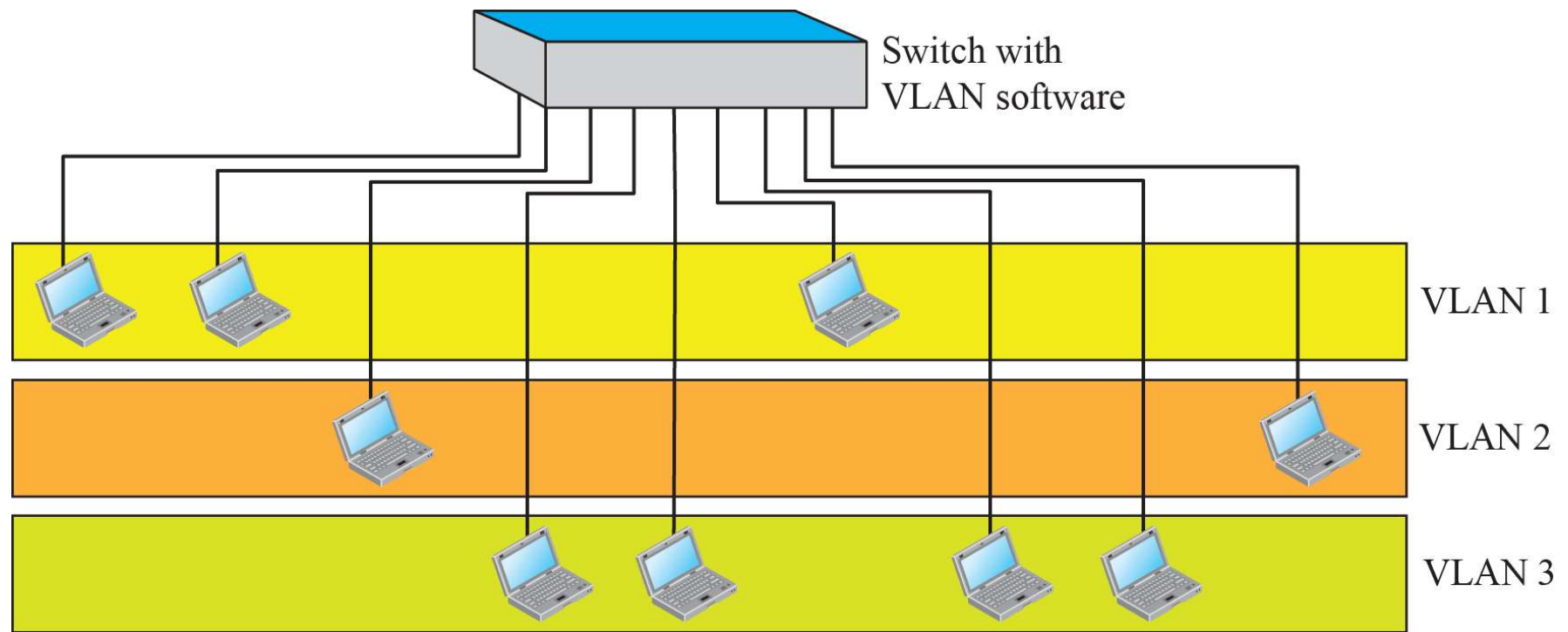


Virtual LANs

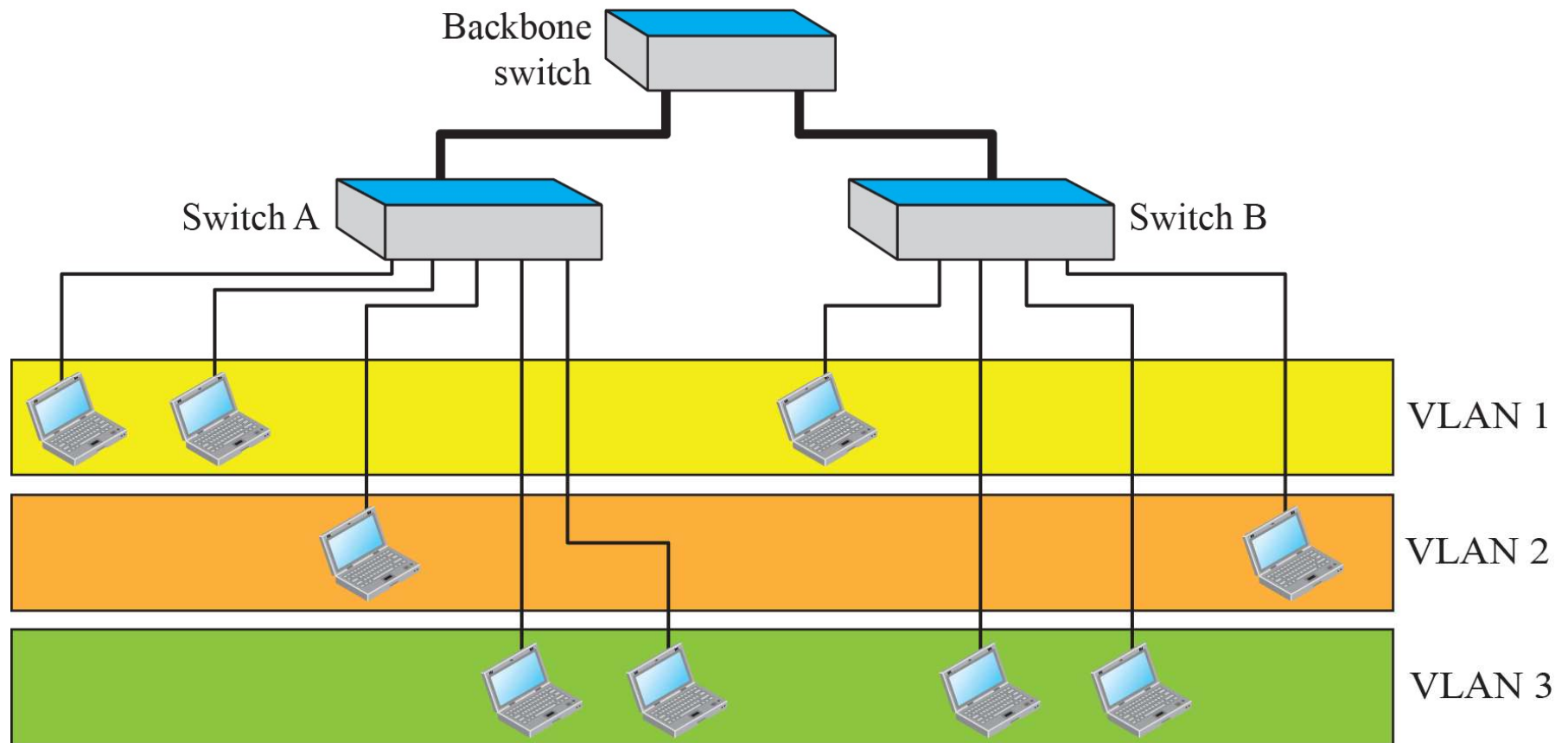
- A station is considered part of a LAN if it physically belongs to that LAN. The criterion of membership is geographic.
- What happens if we need a virtual connection between two stations belonging to two different physical LANs?
- We can roughly define a **virtual local area network (VLAN)** as a local area network configured by software, not by physical wiring.



A switch connecting three LANs



A switch using VLAN software



Two switches in a backbone using VLAN software

Membership

- What characteristic can be used to group stations in a VLAN?
- Vendors use different characteristics such as interface numbers, port numbers, MAC addresses, IP addresses, IP multicast addresses, or a combination of two or more of these.
- How are the stations grouped into different VLANs? Stations are configured in one of three ways: manually, semi-automatically, and automatically.

Advantages

- **Cost and Time Reduction:** Physical reconfiguration takes time and is costly. It is much easier and quicker to move it by using software.
- **Creating Virtual Work Groups:** It can reduce traffic in the multicasting.
- **Security :** VLANs provide an extra measure of security when people belonging to the same group can send broadcast messages.